

Four-Hopper Cut-Gate Packer Scale
with electromagnetic feeder

FNL-0512CV-04

For small to large bags

Covers wide range of your weighing needs

Even coated products! →



Coated Corn
Seeds

Cut-Gate for full feed

Electromagnetic feeder for dribble feed

Those make possible to weigh

Wide variety of granular products

Seed



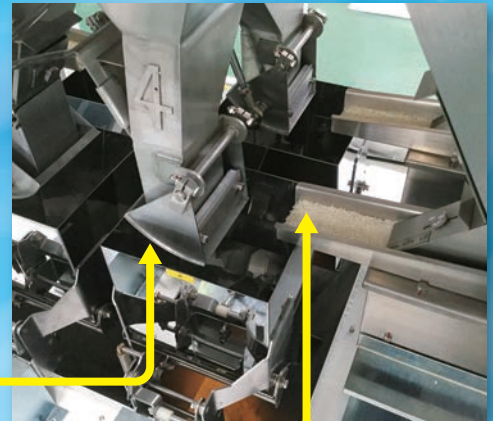
Rice



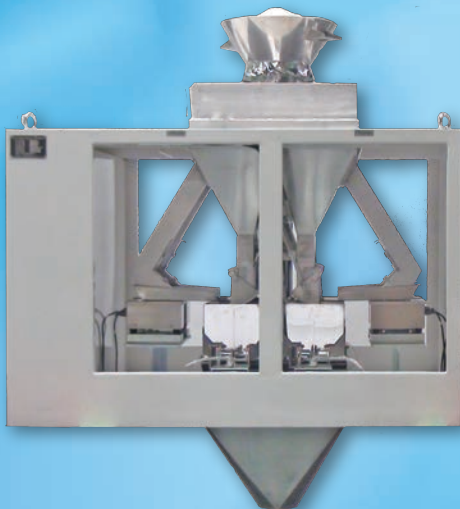
Fertilizer



Cut-Gate



Electromagnetic Feeder



Multi-Head Combo Discharge

Up to 20kg bags

Mode 1 : Single Hopper Discharge

Mode 2 : Two-Hopper Combo Discharge

Mode 3 : Four-Hopper Combo Discharge

High Speed

30 B/M to 40 B/M

Ideal feeding structure pursued
for high speed and accuracy

Four Hopper Packer Scale FNL-0512CV-04

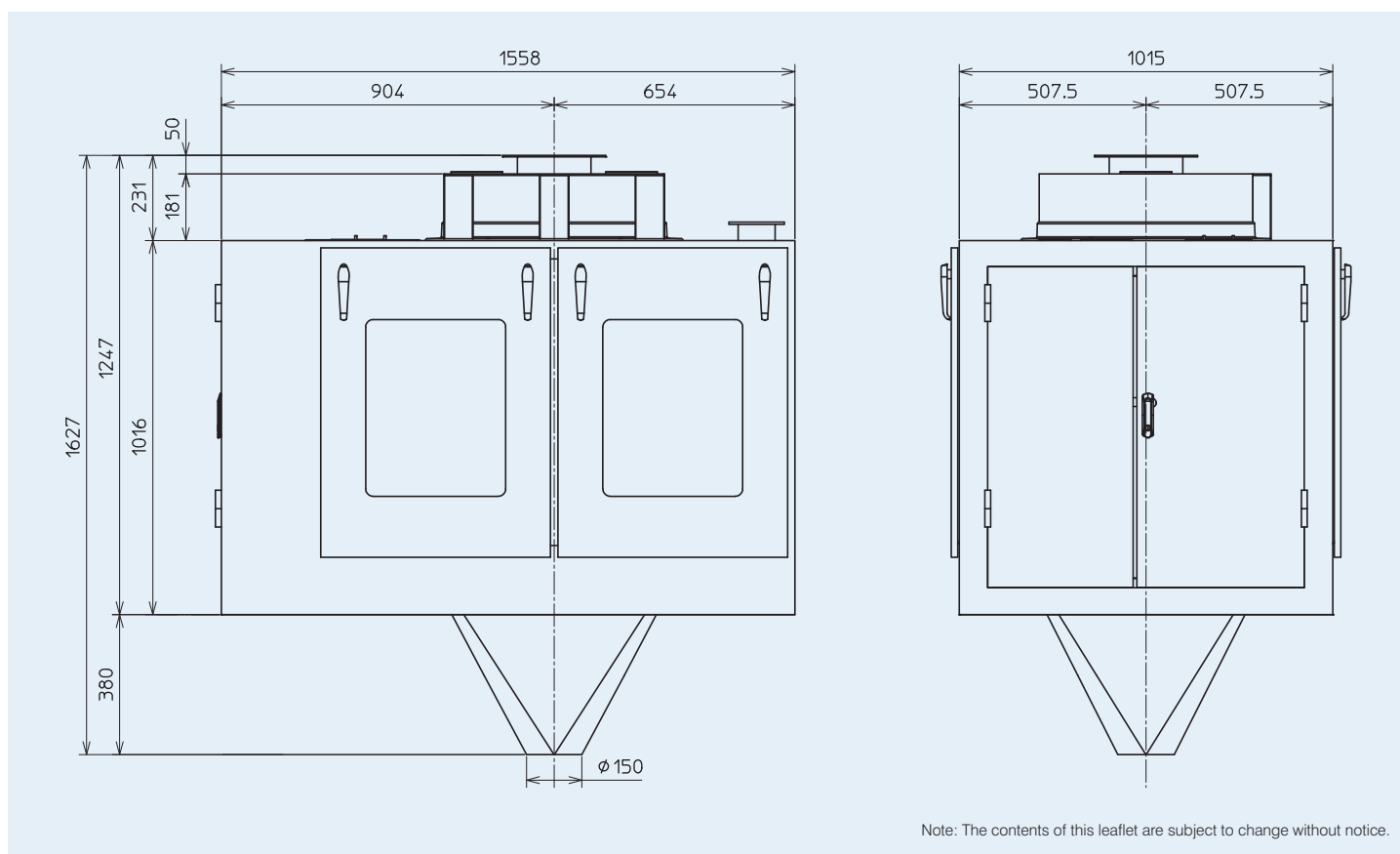
Specifications

No.	Subject	Spec	
1	Capacity	Max. 40B/M *1	
2	Main Body	7L Weighing Hopper with Cut-Gate x 4set and Electric -magnetic feeder x 4set	
3	Feed System	Air Cylinder (Cut-Gate) , Electric-magnetic feeder	
4	Weighing range	2000g	5000g
5	Weighing Accuracy (2σ)	+/- 2g *2	+/- 4g *2
6	Min. graduation	1g	
7	Weighing method	Net weighing	
8	Power Supply	1-phase AC220V±10% 50/60Hz	
9	Power Consumption	1.0kVA	
10	Air pressure / Air consumption	0.5MPa / 100NL/min	
11	Weighing Products	Free flowing Granular Materials (Seeds, Resin Pellets, Rice, Grains, Fertilizer etc.)	

*1 Capacity with 4 hopper at one dump, and depends on product flow ability and filling weight.

*2 Depends on product flow ability and capacity

Drawing (Unit : mm)



Yamato Scale Co., Ltd.

5-22 Saenba-cho, Akashi, Japan 673-8688
 Telephone : +81 78 918-5566·5567·5568
 Telefax : +81 78 918-5552
 URL : www.yamato-scale.co.jp